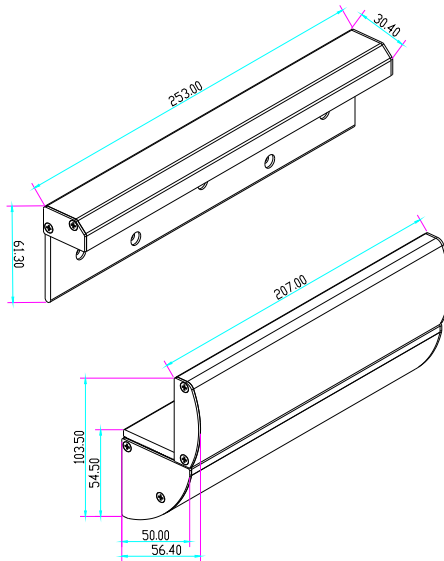


## Specification

- Dimension: 253Lx30.4Wx61.3H(mm)
- Material: High Strength Aluminium,
- Sandblast Finished
- Suitable for: Inward Door
- Opening Mode: 90 Degree Door
- Use with: 280kgs Series Magnetic Lock
- Finished for Shell: Anodized Aluminium
- Weight: 0.75kg

## Dimension



## Installation

