

DOM<sup>®</sup>



DOM ix TwinStar<sup>®</sup>  
Two rollers – double safety

# DOM ix TwinStar®

NEW!



## Two rollers – double safety

With the ix TwinStar® DOM is once again underlining its comprehensive expertise in the field of mechanical locking technology. The new reversible key system is particularly well protected against unauthorised copying thanks to the float-mounted double roller in the key. Thanks to a complex system – 11 sprung tumblers, of which 10 are pin tumblers and 1 is a locking

shaft tumbler – it is suitable for all buildings from private homes to large buildings with high safety standards. In addition, the convenient „2-in-1“ version for registered individual locks and locking systems (from 3rd quarter 2017) makes it possible to deactivate the first set of keys by recoding the cylinder if a key gets lost. The ix TwinStar® is available from April 2017.

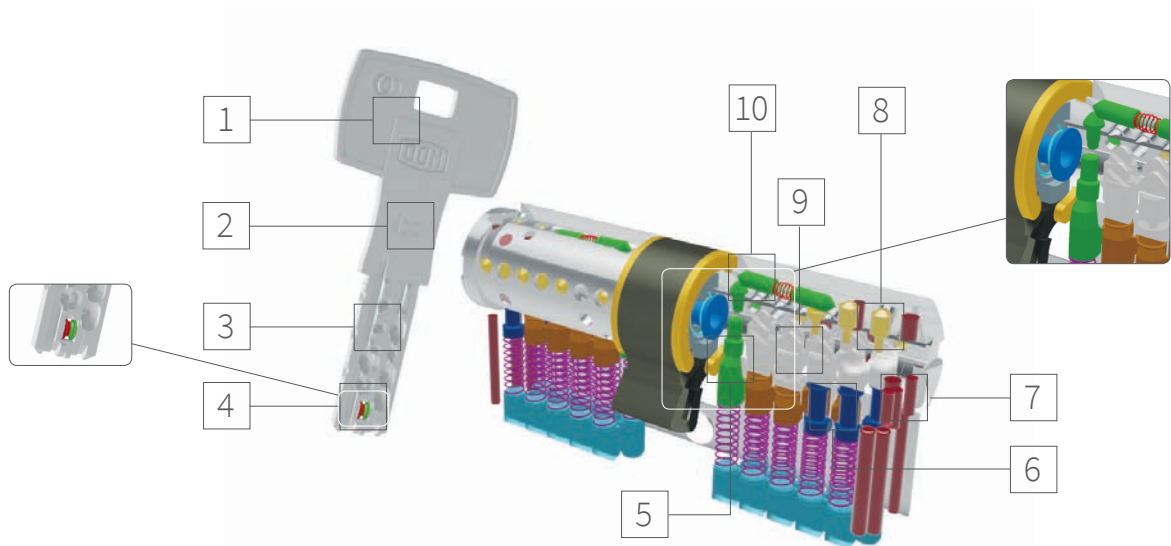
## Advantages

- **KEY INCLUDING MOVING DOUBLE ROLLER – PATENT PENDING FROM THE EUROPEAN PATENT OFFICE**
- **VERY HIGH TECHNICAL KEY COPY PROTECTION**  
Our innovative, float-mounted double roller in the key tip makes it difficult to make non-authorized copies of the keys.
- **ROBUST, DURABLE KEY FROM STONG MATERIAL**  
The key lasts long as it is made of silver nickel.
- **LENGTH OF KEY BLADE MATCHED TO ALL STANDARD SAFETY FITTINGS**
- **HIGH MANIPULATION PROTECTION**  
Up to 23 locking authorisation queries per key make it almost impossible to overcome the cylinder. In addition, specially shaped pins protect against picking and bumping.
- **HIGH PROTECTION AGAINST DRILLING**  
The standard product is already equipped with various anti-drill pins. As an option, the cylinder can be equipped with an enhanced drill protection and thus meets the highest requirements in accordance with EN 1303; VdS and SKG regulations.
- **DIN EN 1303 CERTIFICATION (UNDER PREPARATION)**
- **2-IN-1 RECODING ALSO POSSIBLE IN LOCKING SYSTEMS (FROM 3RD QUARTER 2017)**  
If a higher-level key is lost, recoding is possible with a second set of the higher-level key.
- **SPECIAL VARIANT FOR ONE OR TWO-FAMILY HOUSES WITH OPTIMUM SAFETY FEATURES**  
Available as registered individual locking (BZ+, MODULAR)
  - Variant 1: 6 keys
  - Variant 2: 2 x 3 keys, 2-in-1 recodable
- **SAFETY CARD INCLUDED IN THE SCOPE OF DELIVERY**



Front door   Cellar door   Garage door   Garden gate   Letter box

# DOM ix TwinStar®



**1 NEW KEY HEAD DESIGN**

**2 LENGTH OF KEY BLADE MATCHED TO ALL STANDARD SAFETY FITTINGS**

**3 COMPLEX CODING IN THE KEY**

With familiar high-rib technology, makes copying keys more difficult

**4 REVERSIBLE KEY**

**WITH TWO INDEPENDENTLY MOVING ROLLERS**

With one sprung active function query each in the locking system, compulsory movement through labyrinth in the keyway

**6 ANTI BUMPING & ANTI PICKING PINS**

High manipulation protection makes mechanical opening almost impossible

**7 DRILL-OPEN PROTECTION / ENHANCED DRILL-OPEN PROTECTION**

Carbide or hardened steel elements

**8 10 PROFILE CONTROL PINS**

Make complex locking systems possible

**5 10 QUERY ELEMENTS FOR THE ROLLERS**

- through a sprung pin tumbler **5**

- through a sprung locking shaft **10**, actuated by a locking shaft function pin

**5 9 10 11 SPRUNG TUMBLERS MADE OF SPECIAL BRASS OR HARDENED STEEL**

Offer manipulation protection against intelligent opening methods and impact protection