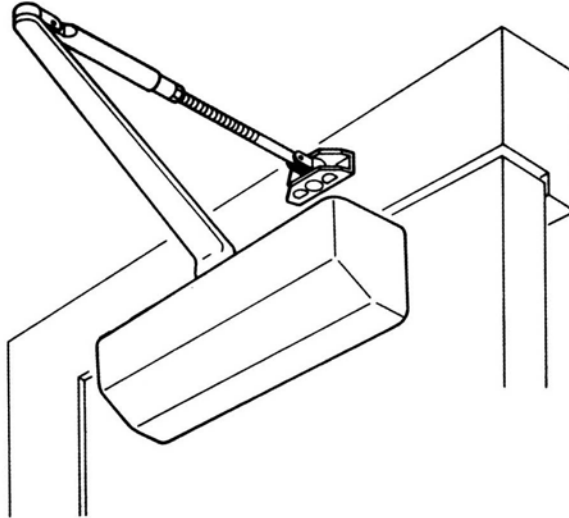
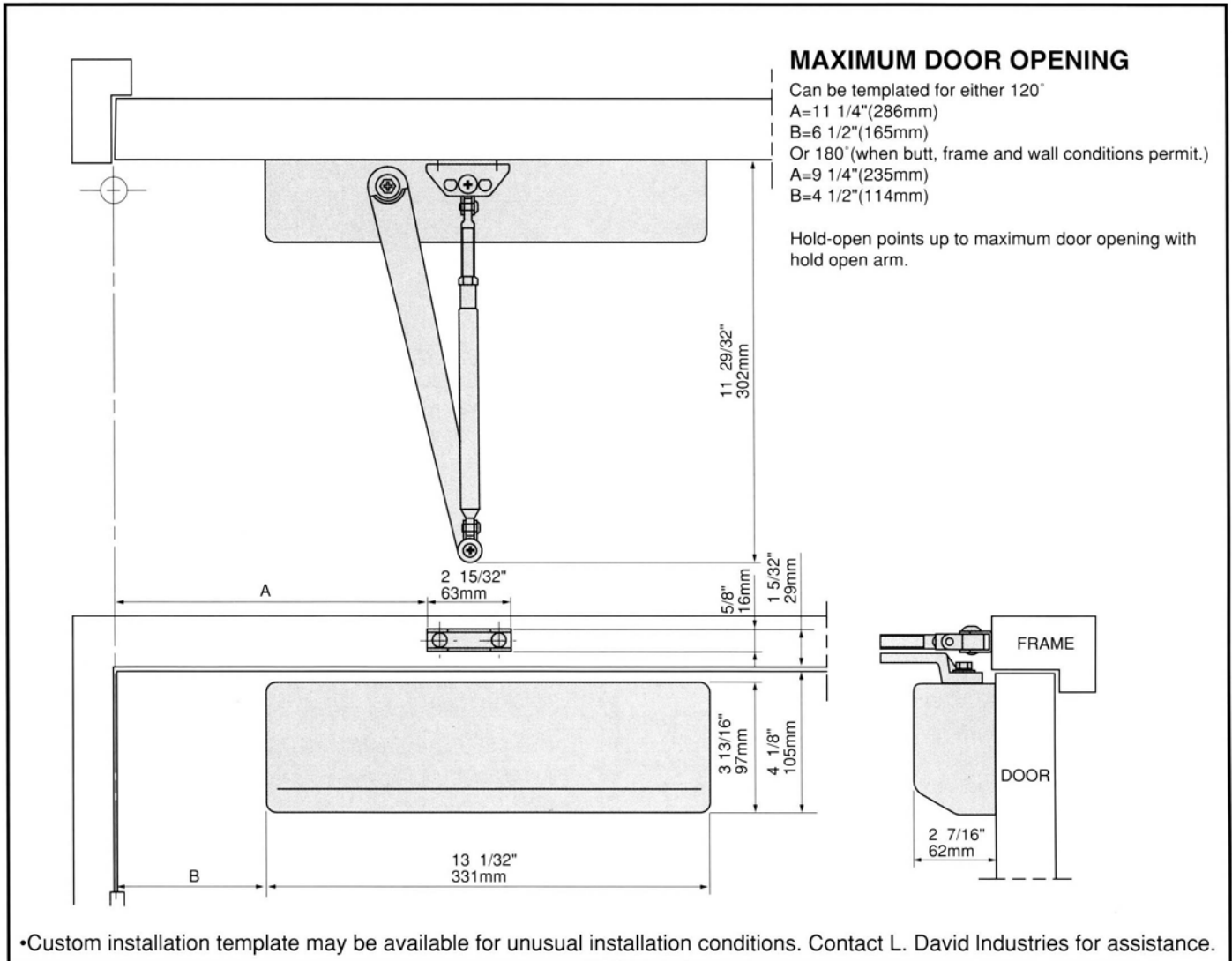


D-4550/D-4551 SERIES DOOR CLOSERS

STANDARD APPLICATION

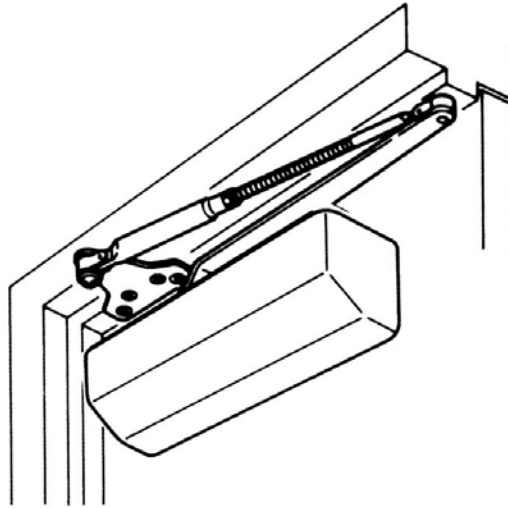


CLOSER MOUNTED ON PULL SIDE OF DOOR



•Custom installation template may be available for unusual installation conditions. Contact L. David Industries for assistance.

PARALLEL ARM APPLICATION

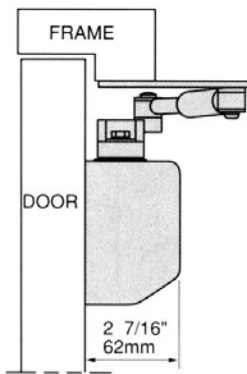
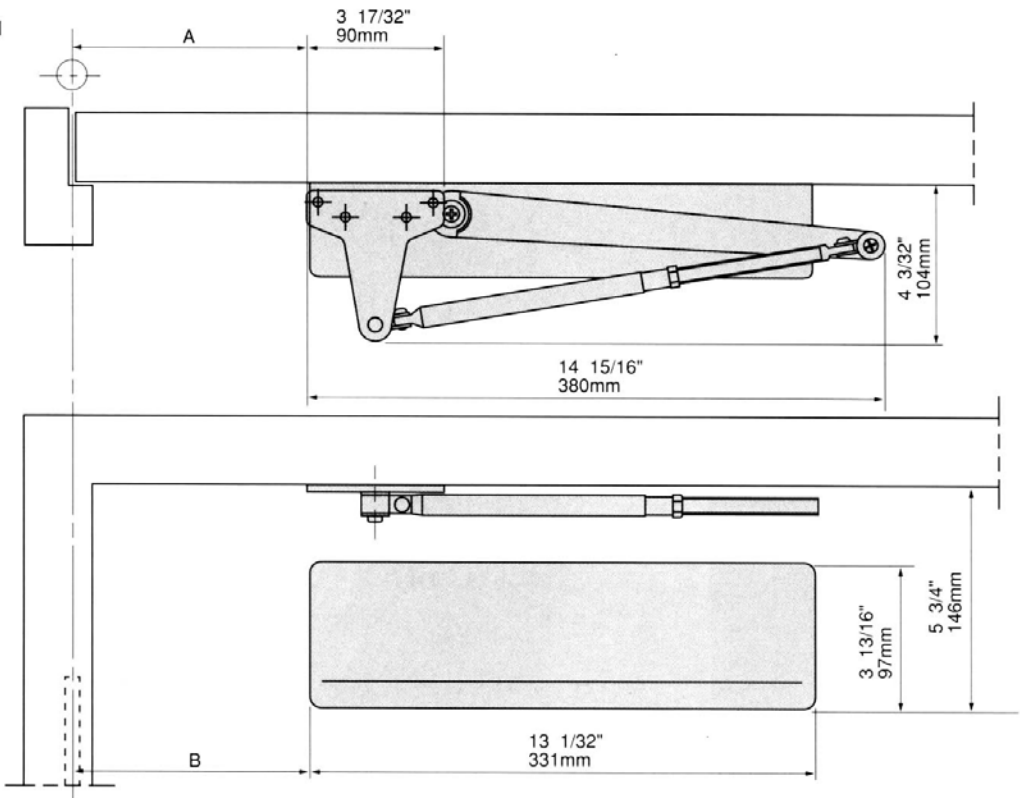


CLOSER MOUNTED ON PUSH SIDE OF DOOR

MAXIMUM DOOR OPENING

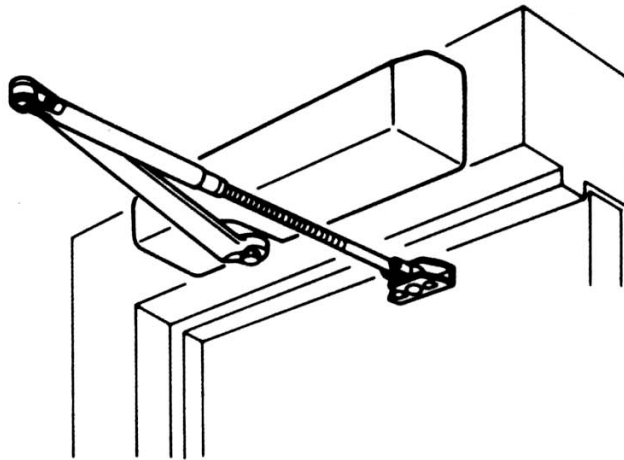
Can be templated for either 120°
 A=8 23/32"(222mm)
 B=8 27/32"(224mm)
 Or 180° (when butt, frame and wall
 conditions permit.)
 A=6 3/32"(155mm)
 B=6 7/32"(158mm)

Hold-open points up to maximum
 door opening with hold open arm.

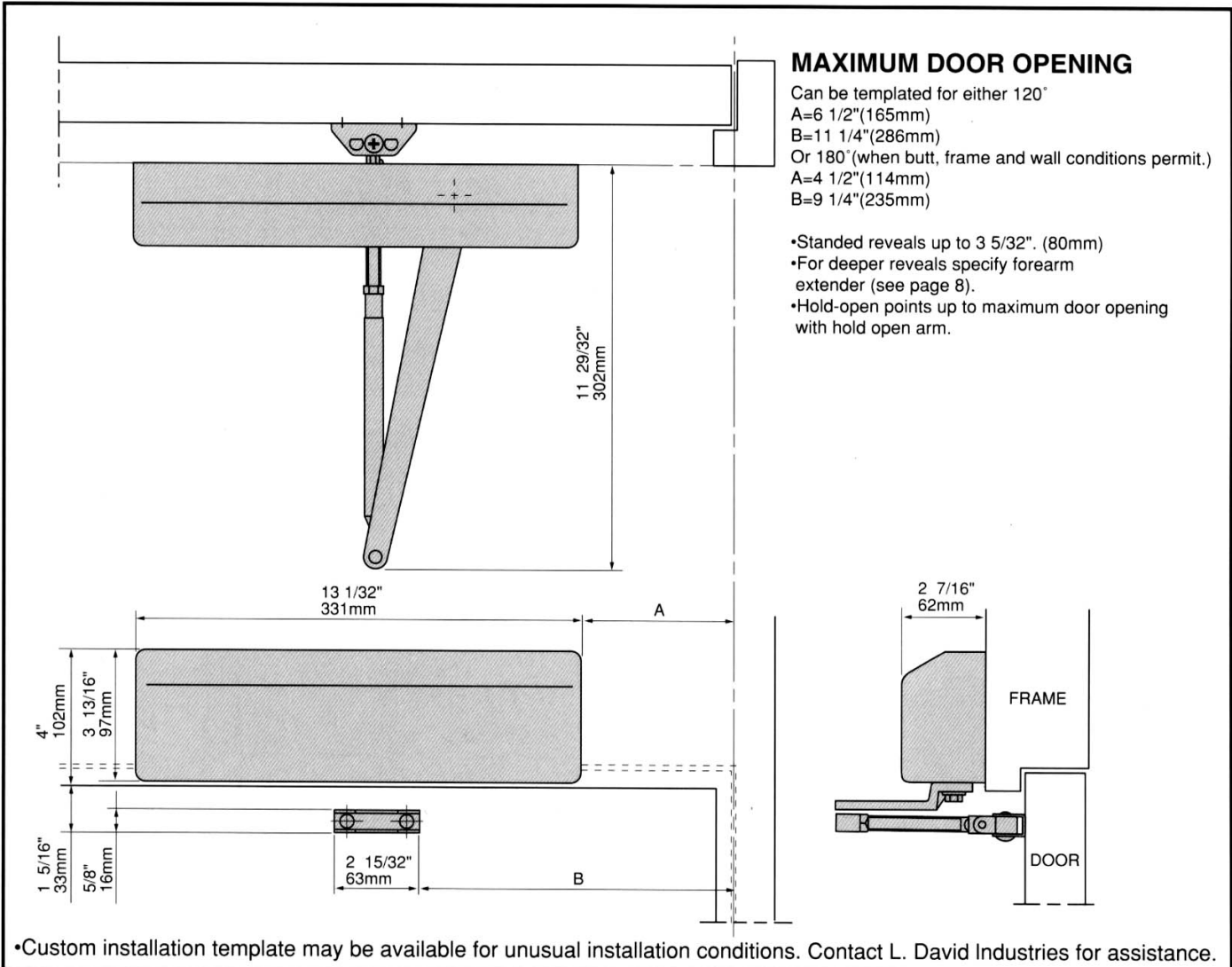


•Custom installation template may be available for unusual installation conditions. Contact L. David Industries for assistance.

TOP JAMB APPLICATION



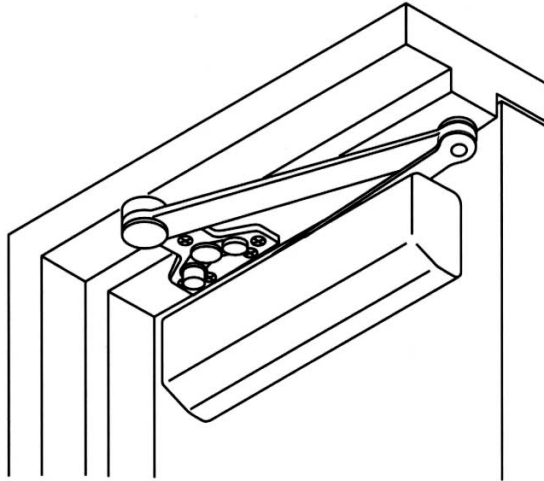
CLOSER MOUNTED ON PUSH SIDE OF DOOR



• Custom installation template may be available for unusual installation conditions. Contact L. David Industries for assistance.

HEAVY DUTY ARM APPLICATION

EDA, H-EDA, S, CS, HS and HCS



CLOSER MOUNTED ON PUSH SIDE OF DOOR

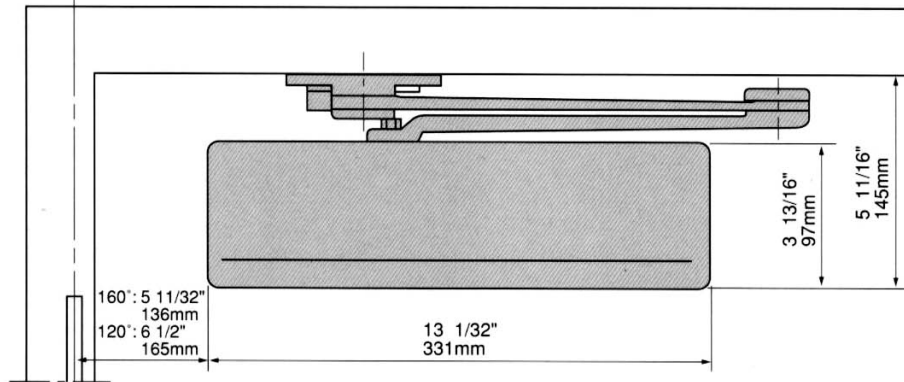
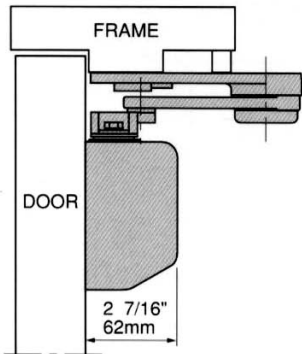
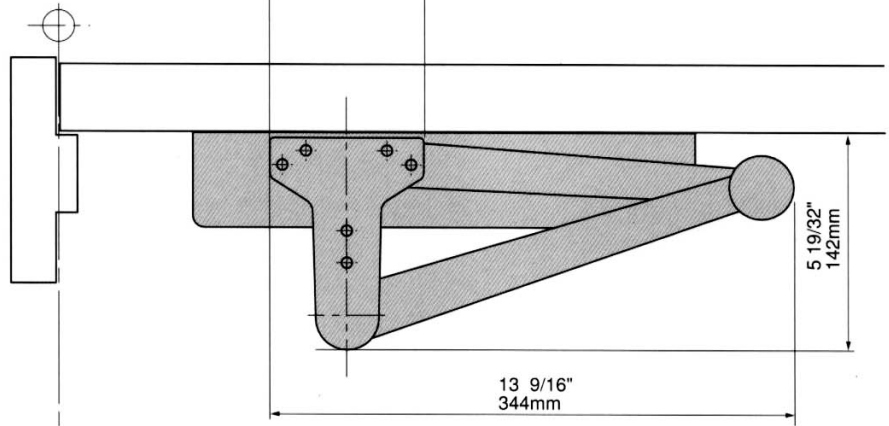
MAXIMUM DOOR OPENING

Can be templated for either 160° or 120° with Stop

•Hold-open is approximately 3 degrees less than maximum door opening.

160°: 6 1/4" 159mm
120°: 7 3/8" 187mm

4" 102mm



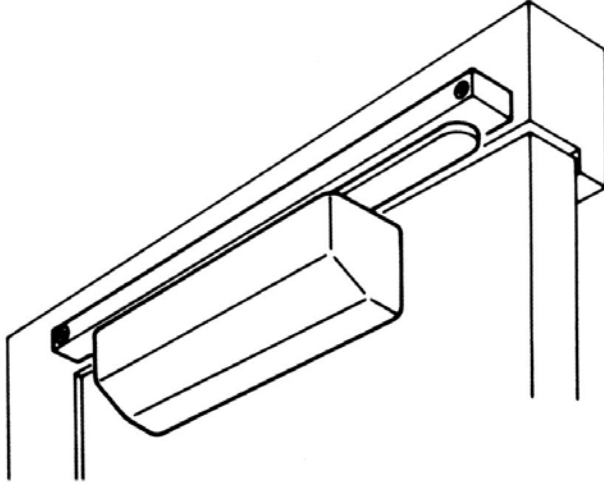
160°: 5 11/32" 136mm
120°: 6 1/2" 165mm

13 1/32" 331mm

3 13/16" 97mm
5 11/16" 145mm

•Custom installation template may be available for unusual installation conditions. Contact L. David Industries for assistance.

TRACK RAIL ARM APPLICATION

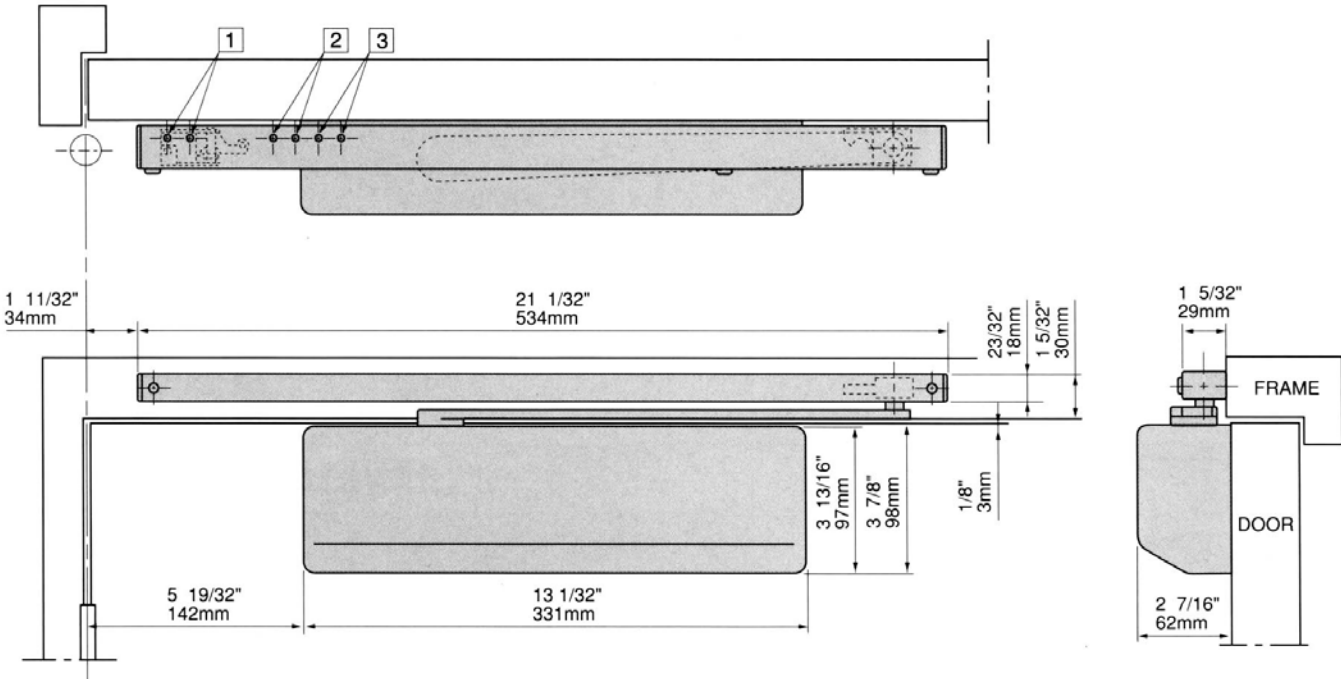


CLOSER MOUNTED ON PULL SIDE OF DOOR

MAXIMUM DOOR OPENING

Maximum door opening is 120°

HOLD OPEN DEVICE	1	2	3
HOLD OPEN ANGLE	106°	86°	80°



•Custom installation template may be available for unusual installation conditions. Contact L. David Industries for assistance.