

Door Handle Magnetic Lock



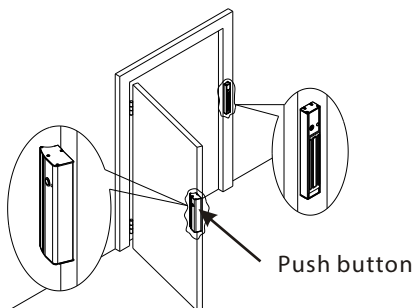
Special features

- Holding force: 600lbs(250Kg).
- Suitable for all types of 90 ° pull door.
- All-in-one (armature and handle) design.
- Built-in push button and power indicator light. Adjustable door opening time (0~9 seconds.)
- Install at the center of the door leaf to prevent deformation whenever it is locked or unlock.
- External installation without knocking any holes out.
- Standalone operation when power is on and it does not need to be controlled by proximity reader.
- Monitor output with Hall Effect for its stability and high accuracy.

Specification		Dimensions
Power Supply	DC 12V or DC24V ±15%	
Operation current	450mA@12VDC mA ±10% 235mA@24VDC mA ±10%	
Application	All types of 90 ° pull door	
Holding forces	600lbs(250Kg)	
Delay Time	0,3,5,9 Sec.	
Open door contact	Photo coupler contact	
Lock status sensor	N.C. & N.O . Output (1A@ 30VDC)	
Indicator	Double-colored LED light	
Demagnetizer design	Instant demagnetizer when power is off.	
Operation temperature	40°C ±5°C (Room temperature 30°C)	
Weight	3000g (included wrapping)	Unit: mm

Structure diagram

【 Left opening door 】



【 Right opening door 】

