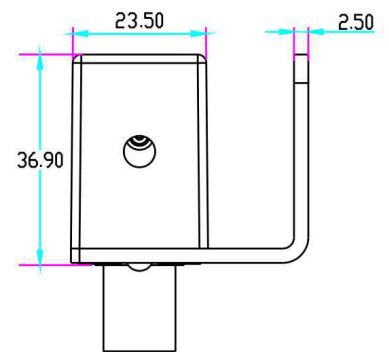
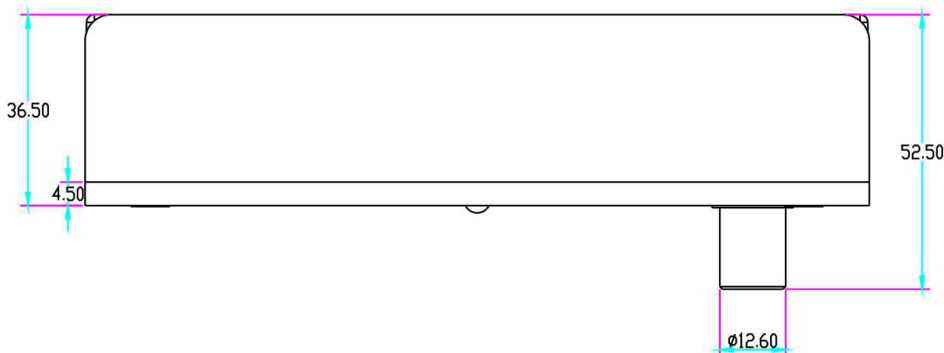
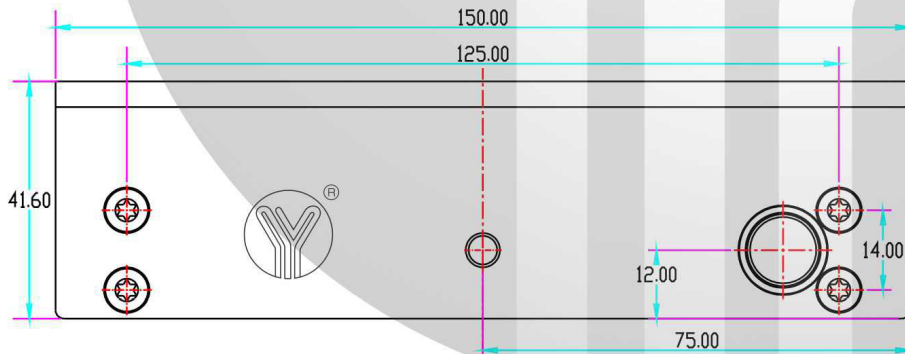


Parameters

| | |
|---------------|--|
| Lock size | 150Lx41.6Wx36.5H(mm) |
| Bracket | 150Lx41.6Wx36.5H(mm) |
| Bolt | 16mmDIA, stainless steel 13mm throw |
| Signal Output | Door status NC/COM |
| LED | Red shows locked ;Green shows unlocked |
| Time Delay | 0/3/6/9sec adjustable |
| Voltage | DC12V(Default); DC24V(Order) |
| Current | Start 12V/960mA; Standby 12V/180mA Start 24V/750mA; Standby 24V/120mA |
| Feature | Fail safe |
| Suitable for | 10-12mm electric bolt for fully frameless glass door |
| Weight | 1.36 kg |

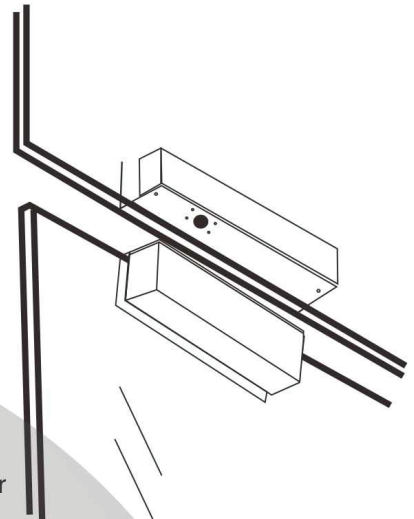
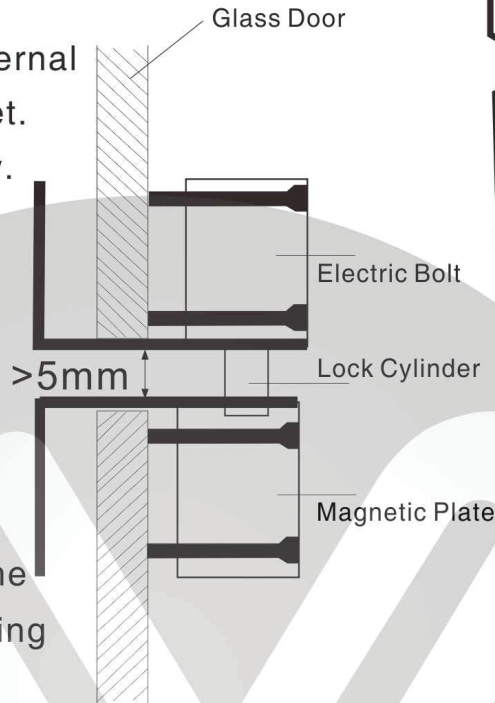
Dimensions



Installation

Steps:

1. Ensure the installation position, clean the glass surface.
2. Fix the spacer inside the U bracket, quantity of spacer can be increased according to the thickness of glass.
3. Paint the glass cement on the internal sideway of the under-part bracket.
4. Screw the bracket by the Allen key.



Attentions:

1. YB-500U(LED) is specially for the 180 degree in-swing and out-swing frameless glass door.
2. The thickness of glass door is 10-12mm
3. The gap between the down-bracket and electric bolt is : 5-8mm.

Wiring Diagram

